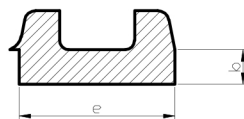
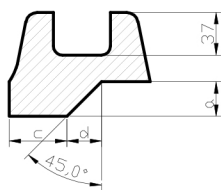
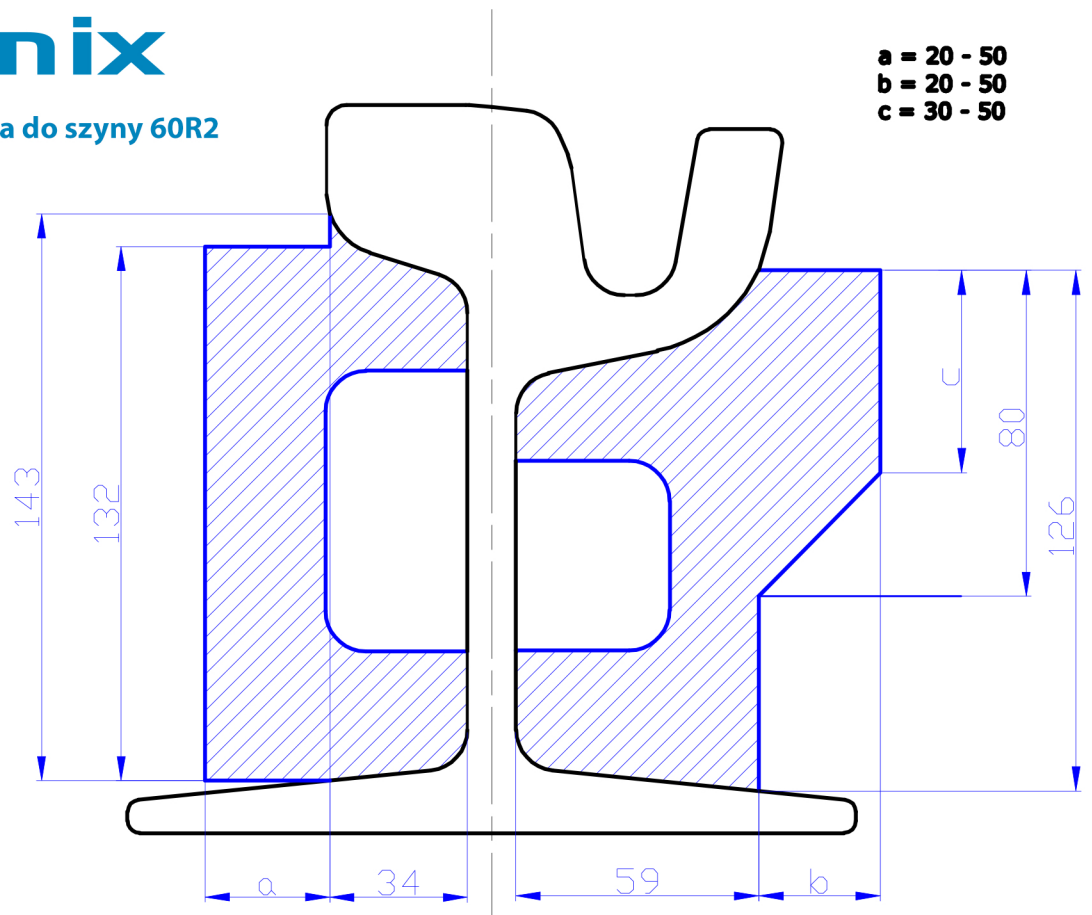
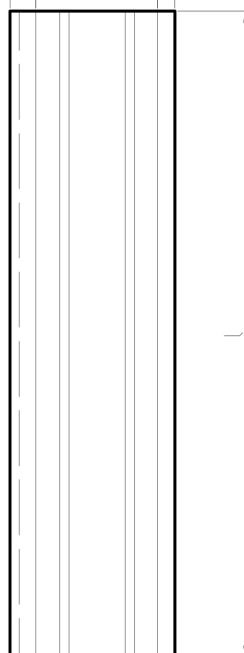
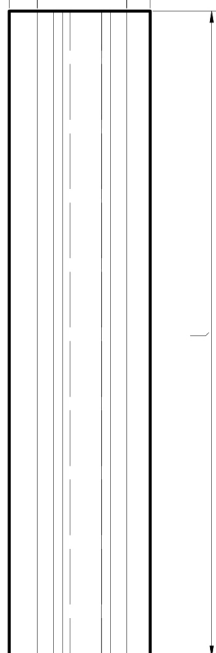


a = 20 - 50
 b = 20 - 50
 c = 30 - 50



24,5 77,5 20

23 105 15



a = 20 + 50 mm
 b = 20 + 25 mm
 c = 10 + 50 mm
 d = 20 + 50 mm
 e = 100 + 160 mm
 l = 300 + 1200 mm